



WG-2297INO

Valve controlled MartinHorn

NL 2-TONE HORN

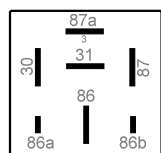
Hypertone (versneller)



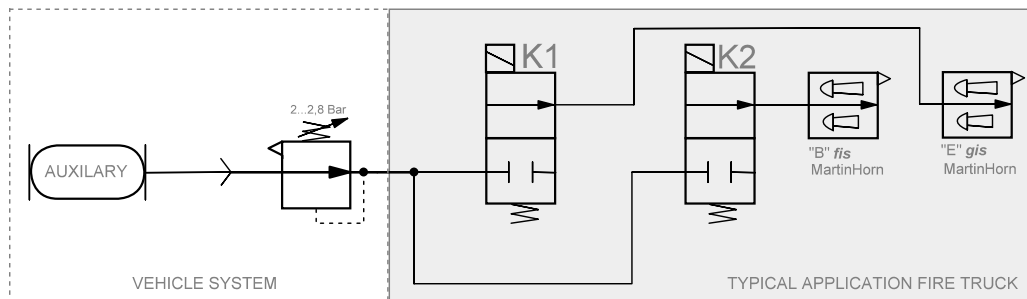
RETROFIT: 2x Solenoid Valves + KLG 3 module



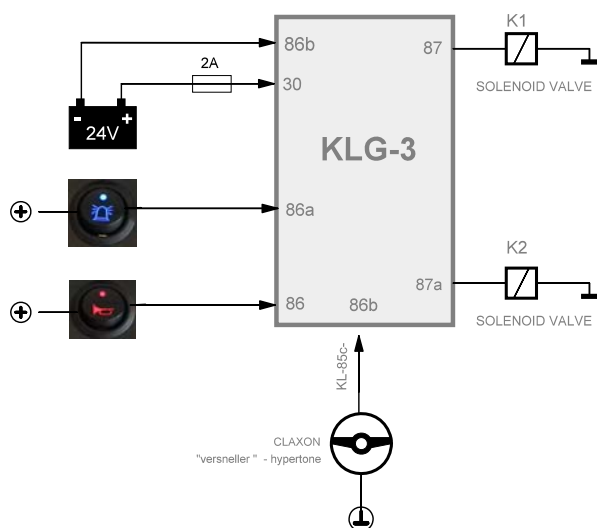
SHOWED OPTION: SNOW-HOODS



KLG-3 bottom view



Diagramm



Options

| | |
|--|--------------|
| Snow Hoods 2 pcs B-Horn + 2 pcs E-Horn | MH2554.43/23 |
| Air installationkit | |
| Airpressure Reducer | |
| Airpressure Generator 12 or 24 Volt (Kussmaul) | |

Technical Data

| | |
|--------------------|--|
| Power Output | > 115 dB(A)/7m >120 dB(A)/3,5m |
| Signal 1 input 86 | 2-Tone : The Netherlands Fire Brigade |
| Signal 2 input 86b | Hypertone (versneller), 7s after puls latching |
| Voltage | 19..30 Volt |
| Current | Load: 1A |
| Input | See diagramm |
| Connector | AMP (6,3mm / 2,8 mm Faston) |
| Output | 1x Solenoid valve K1 |
| Output | 1x Solenoid valve K2 |
| Housing | |
| Weigth | |
| Temp. range | -25...+70 Deg.Celsius |
| Sizes | See drawing |

Partnumber

| | |
|--|---------------------|
| 24 VOLT incudes 1 set MartinsHorn B+B" / E + E" | WG2297-INO |
| 12 VOLT incudes 1 set MartinsHorn B+B" / E + E" | WG2297-INO12 |
| RETROFIT 24V - 2x Solenoid Valves + KLG 3 module - | WG-INO-24 |
| RETROFIT 12V - 2x Solenoid Valves + KLG 3 module - | WG-INO-12 |

TECHNICAL DETAILS FOR INFORMATION ONLY. 27032010