



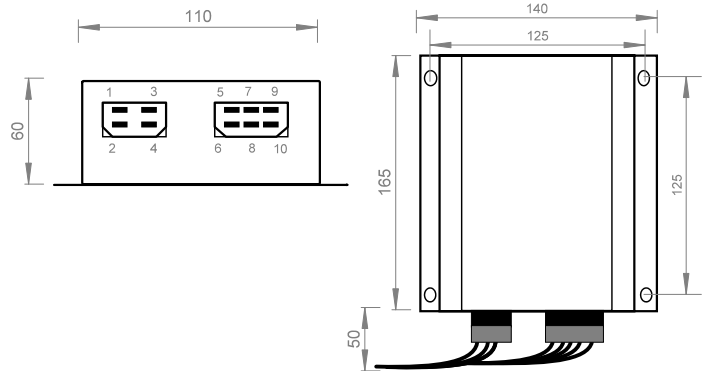
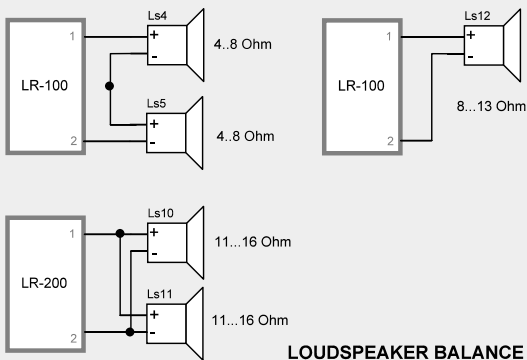
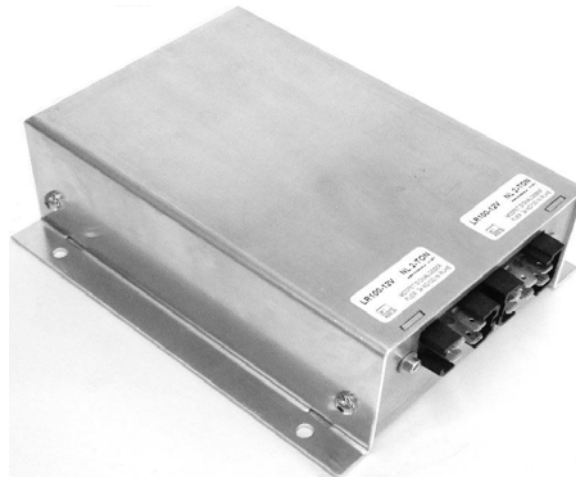
LR-100 / LR-200

Mosfet Signalgenerator

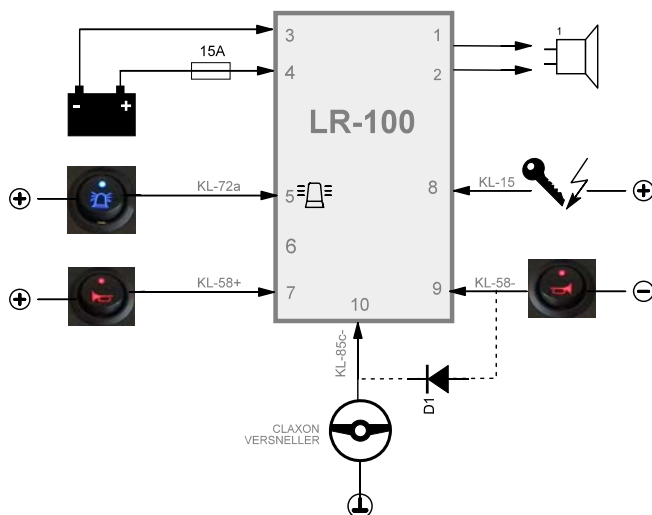
e1

ABG
W25043

SIGNAL: NL- F-D



Diagramm



Options

- ____ Loudspeaker
- ____ Schwitches
- ____ Public Address. Microphone Input
- _____

Technical Data

Power Output	100 Watt effective
Signal	France, Germany, The Netherlands
Signal	NL-VERSION: 375/500 Hz, SNEL-TOON
Voltage	10...14 Volt
Current	Standby: 10mA Load: 11 A.
Input	See diagramm
Connector	AMP-4 , AMP-6 (6,3mm Faston)
Output	LR100 for 1x 100 Watt-11/13 Ohm Driver
Output	LR200 for 2x 100 Watt-11/13 Ohm Driver
Housing	Aluminium
Weigth	1200g
Temp. range	-25...+65 Deg.Celsius
Sizes	See drawing

Partnumber

12 VOLT for 1 speaker or 2 pcs (4 to 8 Ohms)	LR-100-NL
12 VOLT for 2 speakers (13 Ohms)	LR-200-NL

TECHNICAL DETAILS FOR INFORMATION ONLY. 27032010