



MSH-100

NL UNDERCOVER

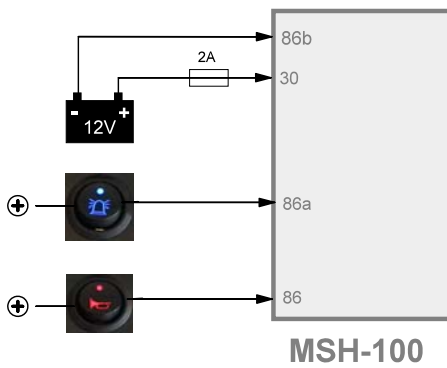
Moving Signplate Siren Horn

> 112 dB(A)/7m



RETROFIT: 2x Solenoid Valves + KLG 3 module

Diagramm



Technical Data

Power Output	> 112 dB(A)/7m >118 dB(A)/3,5m
Signal 1 input	100 Watt 8 Ohms
Voltage	10...14 Volt
Current	Load: 1A
Input	See diagramm
Connector	Cabling
Output	1x Solenoid valve K2
Housing	Aluminium/Steinless steel
Weigth	
Temp. range	-25...+70 Deg. Celsius
Sizes	See drawing

Options

Intergrated CLASS-2 LED Strobелights	

Partnumber

100 Watt, 8 Ohm	MSH-100
2x 30 Watt, 4 Ohm	MSH-80
Intergrated CLASS-2 LED Strobелights (option)	MSH-XB2

TECHNICAL DETAILS FOR INFORMATION ONLY. 27032010