



# MLED-XL

16 x 1,4 Watt

22 Watt

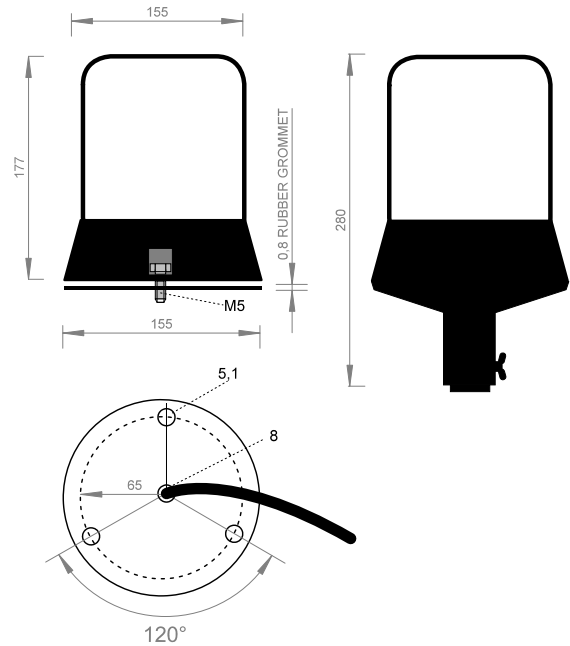
LED GEN-III



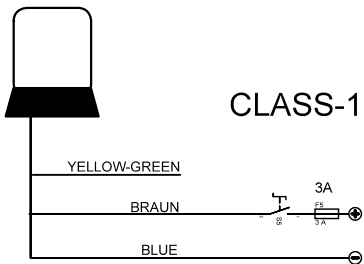
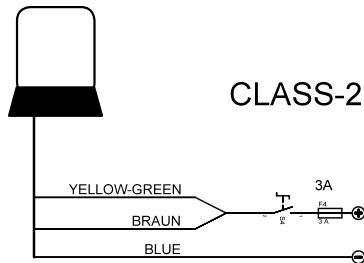
ECE R65

TB2 10033  
TB2 10034

CLASS-2



### Wiring

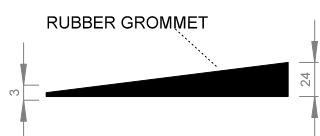


### Technical Data

Light Power	>130cd (Bleu)
Flashpattern - CLASS-2	Fast-Double
Rotating pattern - CLASS-2	Rotating LED
Total Watts	22
Voltage	10,4...28,8V (max 36V)
Start Up Draw (Amps)	1,8 (12V) 0,9 (24V)
Running Draw (Amps)	same
Housing	Polycarbonate
Lens	Polycarbonate blue
Protection	LED Module IP-67
Connector	Cabling
Operating temperature	-40...+80 Deg.Celsius
Size	see drawing

### Options

### Partnumber



Partnr. VA999.332

### Partnumber

AMBER ON REQUEST AVAILABLE

BLEU DIN-3-BOLT	MC23534
BLEU DIN-3-BOLT ROTATING	MC23530
BLEU DIN- PIN MOUNT	MC23535
BLEU DIN- PIN MOUNT ROTATING	MC23531

TECHNICAL DETAILS FOR INFORMATION ONLY. 27032010