



Novium

8 x 1,4 Watt

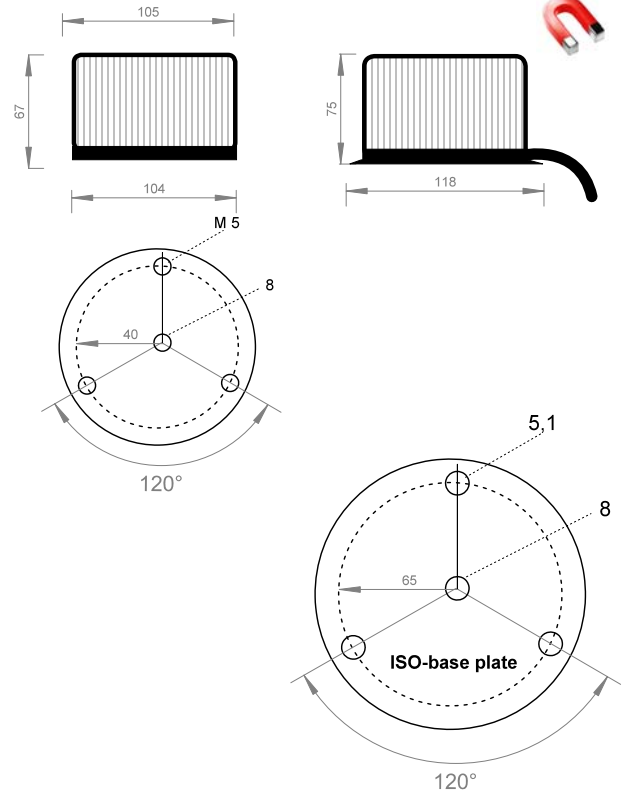
11 Watt

GEN-III



ECE R65

CLASS-1



Partnumber

x = A = Amber
 x = W = White
 x = R = Red
 x = GR = Green
 x = B = Blue

Light only



68

NOVIUM-x

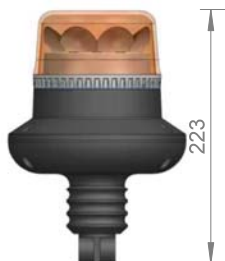
Light with ISO base plate fixing system



114

NOVIUM-ISO-x

Light with pipe-mount fixing system



223

NOVIUM-AF-x

Light with magnetic fixing system



75

NOVIUM-MAG-x



max. 250 Km/Hrs

Technical Data

Light Power	>50cd
Flashpattern - CLASS-1	Fast-Double
Total Watts	11
Voltage	10,4...28,8V (max 36V)
Start Up Draw (Amps)	0,9 (12V) 0,45 (24V)
Running Draw (Amps)	same
Housing	Polycarbonate
Lens	Polycarbonate blue
Protection	LED Module IP-67
Connector	Cabling
Operating temperature	-40...+85 Deg.Celsius
Size	see drawing

Options

Protective sleeve/bag for magnetic version

Telescopic-Pole



TECHNICAL DETAILS FOR INFORMATION ONLY. 27032010