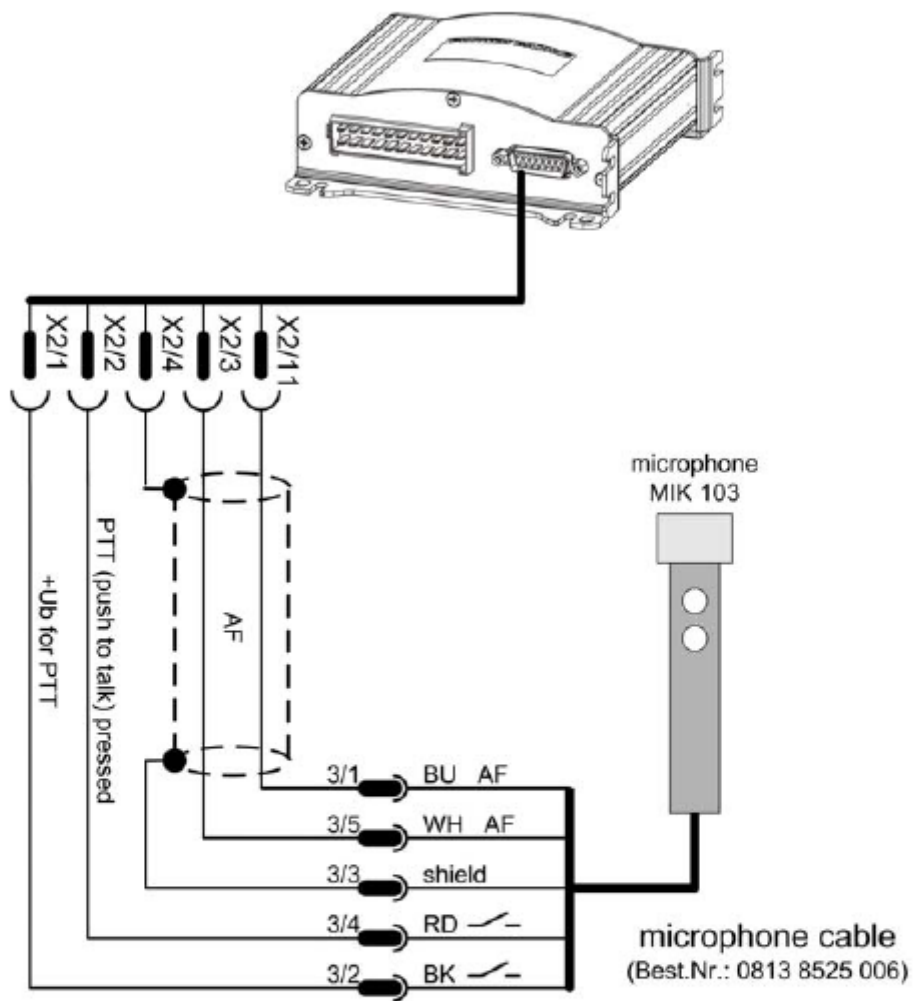


### 5.7 Connection diagram with microphone (4mV level)



Using another connection cable, wiring has to be modified.

When using a bus-compatible control panel (like BT-200 / BT-210) you have to use a special, appropriate cable set.